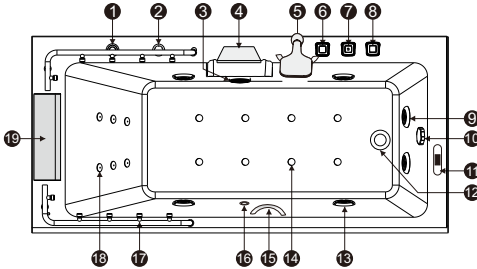


Water Capacity: 230L N.W.: 88KG

KC - D03 Massage cylinder part names

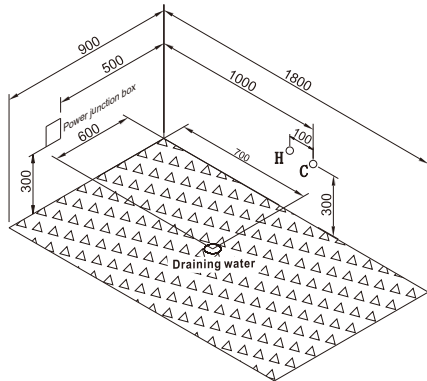
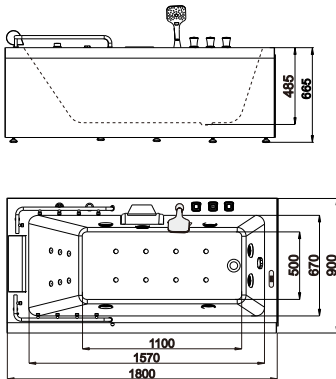


- ① With rail-mounted nozzle conditioner
- ② Air conditioner
- ③ Water feedback net
- ④ Water inlet cataract
- ⑤ Shower head
- ⑥ Hot water switch
- ⑦ Function conversion switch
- ⑧ Cold water switch
- ⑨ Rotating nozzles
- ⑩ Water drainage device(Handle)
- ⑪ Control panel
- ⑫ Water drainage device(Sewer cover)
- ⑬ Sewage nozzle
- ⑭ Bubble nozzle
- ⑮ Handrall
- ⑯ Light
- ⑰ With rail-mounted nozzle
- ⑱ Small nozzle
- ⑲ Pillow

Two side apron: The picture shows a right side spare part, Please refer it symmetrically if you choose a left side part.
 Tri-side apron: The picture shows a left side spare part, Please refer it symmetrically if you choose a right side part.

KC - D03 water and electricity utilities installation

Unit: mm



- Remarks:
1. Earth Leakage Protector □40□32□20□10 ampere should be installed on power supply wire.
 2. Rated parameters for power: AC110V 60Hz.
 3. Branch circuit power wire diameter of bathtub not less than 10AWG;